

# Single Phase Inverter

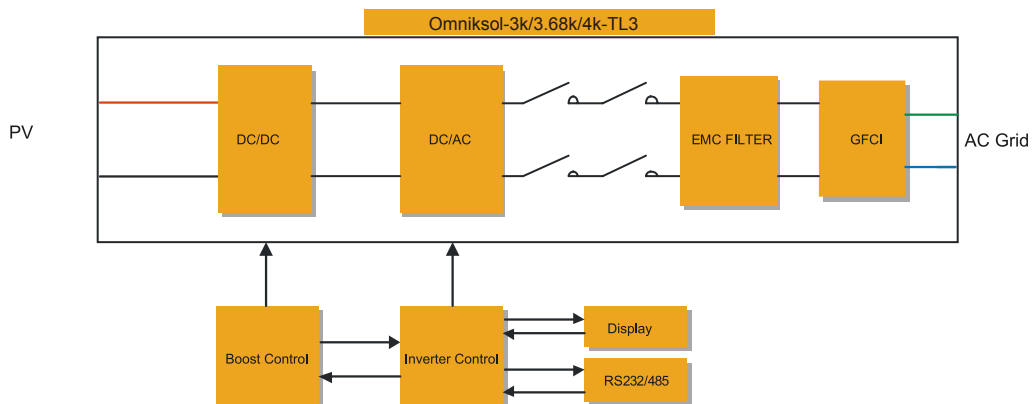
Omniksol-3k/3.68k/4k-TL3



## product features

Features	Advantages	Benefits
● 5-25 years guarantee (optional)	● Longer life cycle	● More stable and reliable
● Built-in GPRS as option	● Plug and play	● No commissioning work to get real-time remote monitoring
● Built-in Wifi as option	● Free monitoring fee for data transmission	● More convenient monitoring solution without any charge
● Circuit design based on temperature gradient	● Excellent heat dissipation	● Longer life cycle
● Smaller and lighter, only 11.5 kg	● Easy transportation and installation	● Saving storage and installation space
● High performance DSP for algorithm control	● Faster CPU speed	● Higher inverter control accuracy
● VDE-AR-N 4105 certification	● Adjustable active and reactive power	● Meet the latest certification and regulations
● New topology design	● Maximum conversion efficiency up to 97.3%, Euro up to 96.7%	● Increase system payback ability
● TF card update	● User friendly interface	● Easy to operate
● LCD screen visible at night	● Real-time data visible at night	● Real-time operating condition accessible
● Have anti-shading function	● Suitable to complex installation environment	● Increase the electricity generation of the system in shading environment

## Block Diagram



# Technical Date

Omniksol-3k/3.68k/4k-TL3

Type	Omniksol-3k-TL3	Omniksol-3.68k-TL3	Omniksol-4k-TL3
<b>Input(DC)</b>			
Max. PV Power	3200W	3900W	4200W
Max. DC Voltage	580V	580V	580V
Operating MPPT Voltage Range	120-500V	120-500V	120-500V
Start up DC Voltage	150V	150V	150V
Turn off DC Voltage	120V	120V	120V
Max. DC Current	10A	10A	10A
Max. Short Circuit Current for each MPPT	14A	14A	14A
Number of MPP trackers	2	2	2
Number of DC Connection for each MPPT	1	1	1
DC Connection Type	MC4 Connector	MC4 Connector	MC4 Connector
<b>Output (AC)</b>			
Nominal AC Power(cos phi = 1)	3000W	3680W	4000W
Nominal Grid Voltage	220V/230V/240V	220V/230V/240V	220V/230V/240V
Nominal Grid Frequency	50Hz/60Hz	50Hz/60Hz	50Hz/60Hz
Max. AC Current	15A	16A	20A
Grid Voltage Range*	185-276V	185-276V	185-276V
Grid Frequency Range*	45-55Hz/55-65Hz	45-55Hz/55-65Hz	45-55Hz/55-65Hz
Power Factor	0.9i_1_0.9c	0.9i_1_0.9c	0.9i_1_0.9c
Total Harmonic Distortion (THD)	<3%	<3%	<3%
Night time Power Consumption	<1W	<1W	<1W
AC Connection Type	Plug-in connector	Plug-in connector	Plug-in connector
<b>Efficiency</b>			
Max. Efficiency (at 360Vdc)	97.3%	97.3%	97.3%
Euro Efficiency (at 360Vdc)	96.7%	96.7%	96.7%
MPPT Efficiency	99.9%	99.9%	99.9%
<b>Safety and Protection</b>			
DC Insulation Monitoring	Yes		
DC Switch	Optional		
Residual Current Monitoring Unit (RCMU)	Integrated		
Grid Monitoring with Anti islanding	Yes		
Protection Class	I (According to IEC 62103)		
Overvoltage Category	PV II / Mains III (According to IEC 62109-1)		
<b>Reference Standard</b>			
Safety Standard	EN 62109 AS/NZS 3100		
EMC Standard	EN 61000-6-1, EN 61000-6-3, EN 61000-6-2, EN 61000-6-4, EN61000-3-2, EN61000-3-3		
Grid Standard	VDE 0126-1-1, RD1663, C10/11, G83/2, UTE C15-712-1, AS4777, CQC,CEI0-21, EN50438		
<b>Physical Structure</b>			
Dimensions (WxHxD)	288x380x130mm		
Weight	11.5kg		
Environmental Protection Rating	IP 65		
Cooling Concept	Natural convection		
Mounting Information	Wall bracket		
<b>General Data</b>			
Operating Temperature	-25°C to +60°C(derating above 45°C)		
RangeRelative Humidity	0% to 100 %, no condensation		
Max. Altitude (above sea level)	2000m		
Noise Level	< 40dB		
Isolation Type	Transformerless		
Display	2 LED, Backlight, 16 x 2 Character LCD		
Data Communication Interfaces	RS485/ WiFi/ GPRS optional		
Guarantee	5-25 years optional		

\*The AC voltage and frequency range may vary depending on specific country grid