



Ginlong export power manager

The control center for smart energy management

The Ginlong export power manager is the ideal solution for smart energy management both for residential and commercial system. With the LCD user interface an overview of all important energy flows of inverter and load is provided.

PV energy can be used more efficiently, thereby significantly increasing self-consumption. Additionally, PV feed-in power is going to be limited in some country. Energy management with the Sunny Home Manager allows for higher self-consumption and efficient use of the locally generated PV power.

Easy to Use

- ▶ Active power limitation and control at the grid-connection point
- ▶ Automatic, intelligent control of loads with up to 10 Ginlong inverters
- ▶ Easy commissioning with the PV System Setup Assistant
- ▶ Basic system monitoring via Ginlong monitoring system

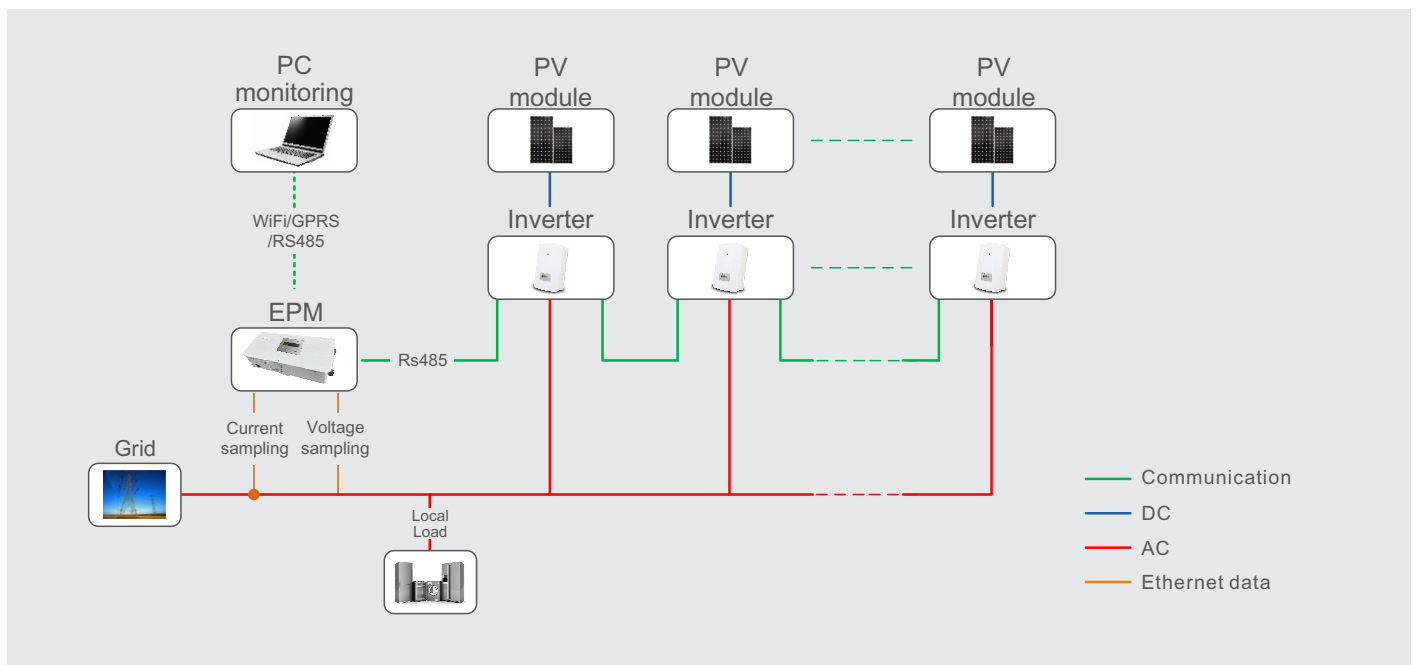
Flexible

- ▶ Several standardized meter interfaces
- ▶ Individual specifications for controllable appliances
- ▶ Automated integration of Smart appliances via Ethernet communication

Address: 5/109 Tulip Street Cheltenham, Victoria, 3192 Australia

Tel: +61 (0)3 8555 9516 **Web:** www.ginlongaust.com.au

Email: service@ginlongaust.com.au



Datasheet

Technical data	Export Manager
Communication	
Inverter communication	RS485
Remote communication	RS485/WIFI/GPRS
Connections	
Inverter	See Inverter communication
Ethernet	Wifi Stick by RS485 port
Energy meter	RJ45 connector for CT, 4P connector for grid detection
Max. number of connected devices	
Inverter	4 Ginlong PV inverters
Communication	1 WiFi or GRPS stick
Max. range for communication	
Wifi in free-field conditions	Up to 100 m
RS485 cable	100 m
Voltage supply	
Voltage supply	Grid
Input voltage	100~ 240 Vac, 50 / 60 Hz
Power consumption	<10 W (max. 20 W)
Ambient conditions during operation	
Ambient temperature	-25°C to +60°C
Degree of protection (according to EN IEC 60529)	IP20
Maximum permissible value for relative humidity (non-condensing)	5 % to 95 %
General data	
Dimensions (W / H / D)	150 / 337 /80mm
Weight	1.8kg
Mounting location	Indoors
Deployment options	Wall mounting
Status display	3 LEDs Power,Operation, Alarm
Features	
Operation	Via LCD or Ginlong web monitoring
Update function	Manually or Automatically Through RS485
Warranty	5 years
Accessory	
Current transformer	1000:1
WiFi or GPRS Stick	Connect to RS485 port